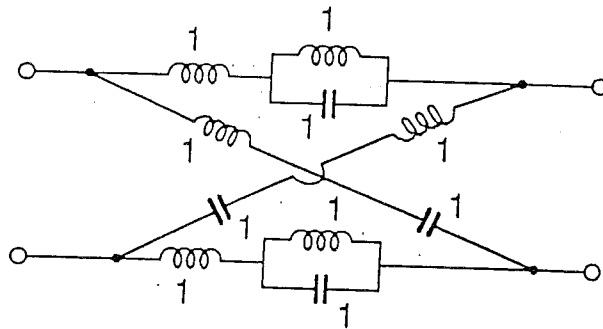


ECE 580

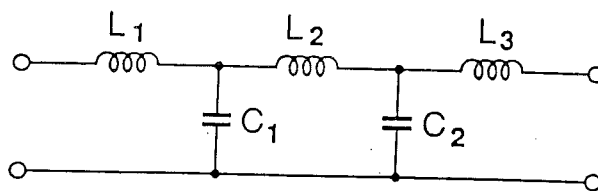
HOMEWORK 2

Due October 23, 2015

1.a. Find the impedance parameters of the lattice two-port shown below.



b. The ladder network below has the same  $\underline{Z}$  matrix. Find its element values.  
*Hint:* the lattice is a symmetric two-port.



c. What are the transmission zeros of the voltage gain?