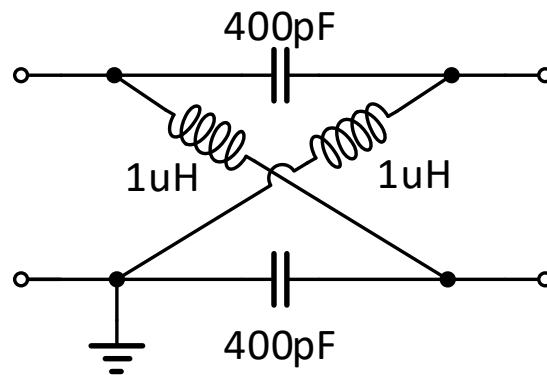


- Find the open-circuit impedance parameters of the lattice shown. The radian frequency is  $\Omega = 50 \text{ Mrad/s}$ .



- Find the short-circuit admittance matrix of the bridged-T two-port at  $f = 1 \text{ MHz}$ .

