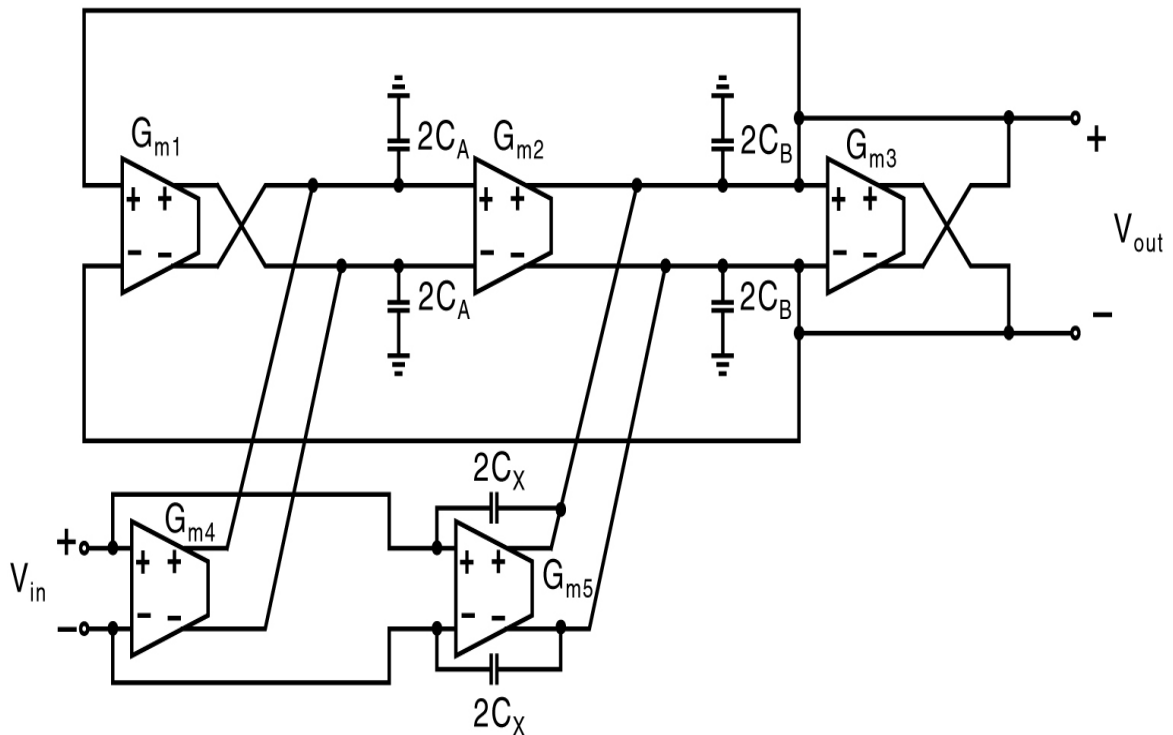


HOMEWORK 4

Due November 20, 2022

- Find a set of element values for the biquad of the circuit shown for a dc gain of 5, a pole frequency $f_p = 10$ MHz, and a pole Q equal to 1. Assume that all capacitors are 0.5 pF.



- Find the transfer function of the switched-capacitor stage shown without parasitic capacitors.
 - For extra credit, find the transfer function for the stage with parasitic capacitors.

